

concept: OSKAR



Energieversorgung:

Solar



Akku



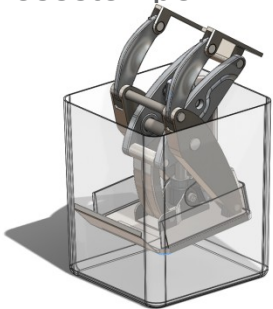
Gehäuse:

Design



Pressmodul:

Presstempel



Lokalisierung:

GPS / Galileo



Steuerung:

Steuergerät



Steuerung:

Single Board Computer



Füllstandmessung

Ultraschall

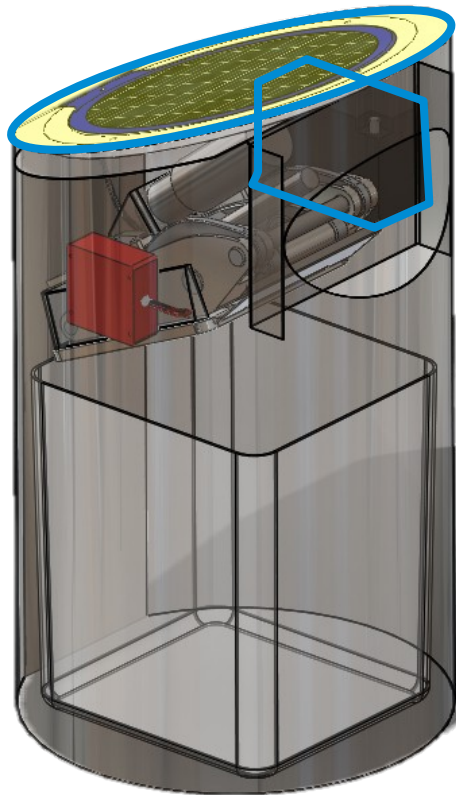


Kommunikation:

GSM / Mobilfunk



concept: OSKAR

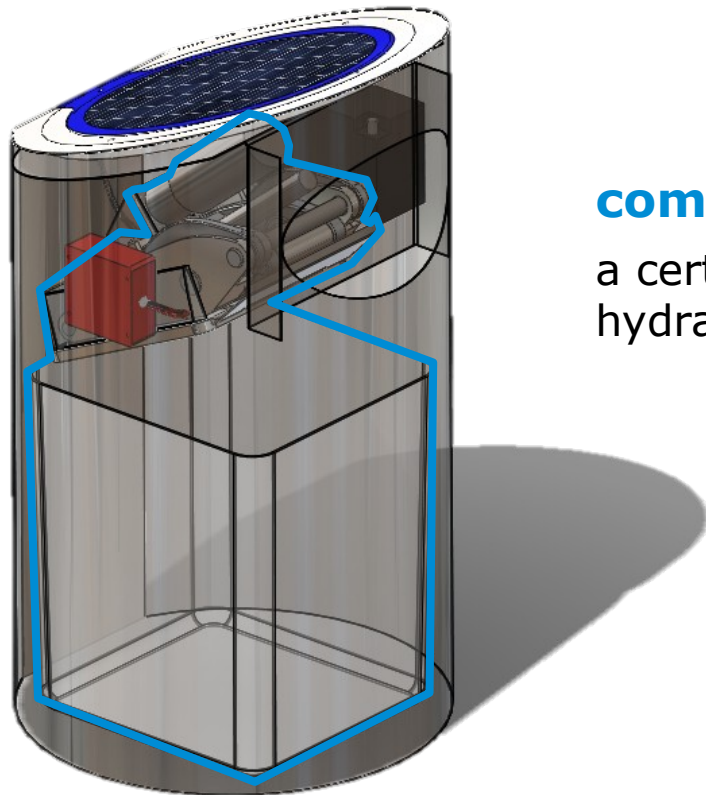


Power supply

A solar panel charges with the gained energy a battery. The battery supplies the system with energy

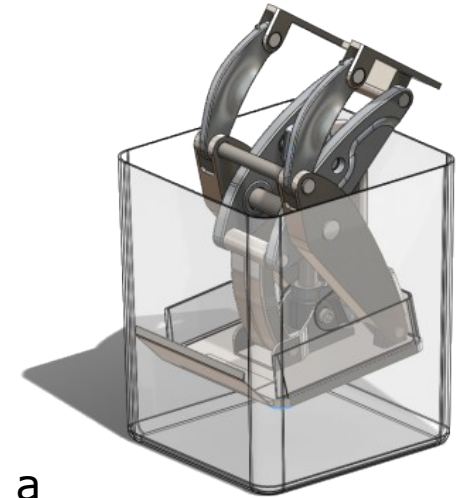


concept: OSKAR

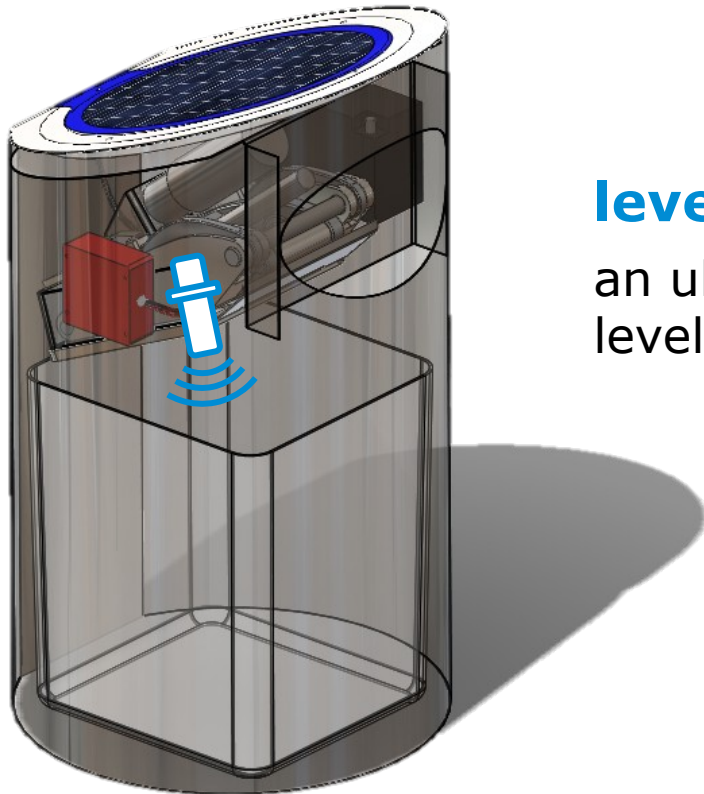


compaction

a certain kinematics is powered by a hydraulic piston to compact the waste.



concept: OSKAR

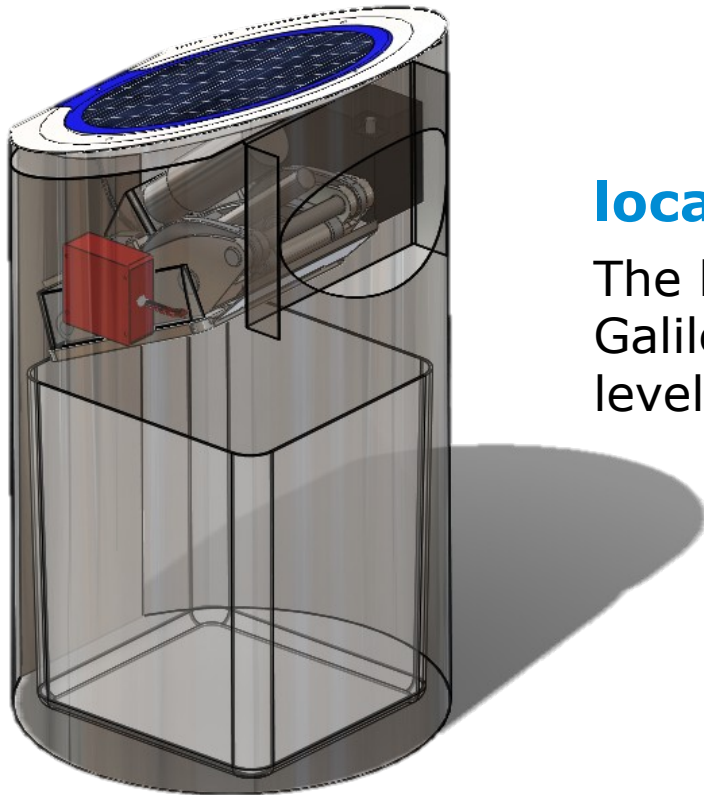
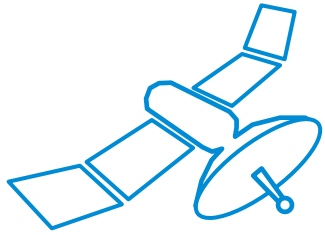


level measuring

an ultrasonic detector measures the filling level of the waste collection system



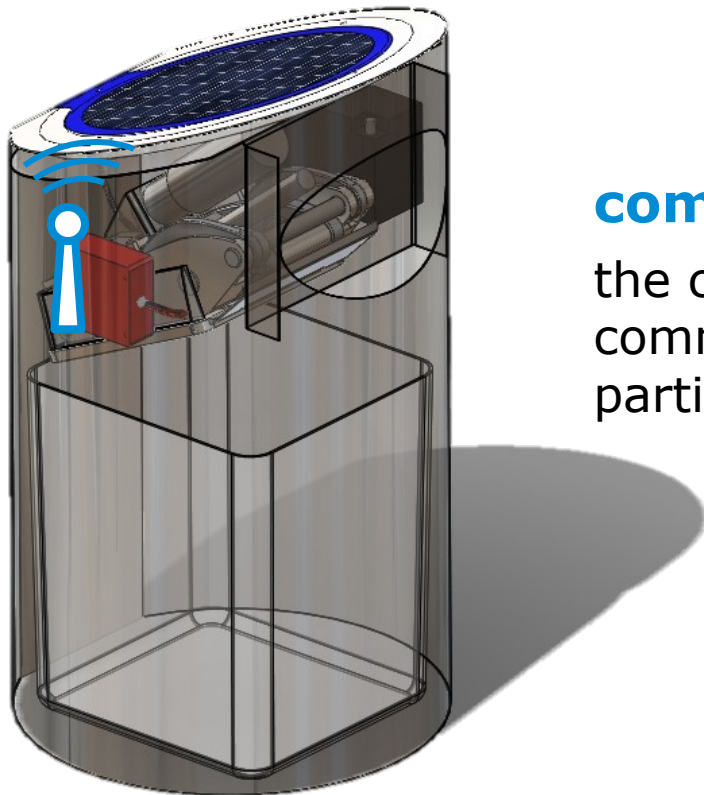
concept: OSKAR



Localization

The location data is determined via GPS or Galileo. The headquarter receives site related level measurements.

concept: OSKAR

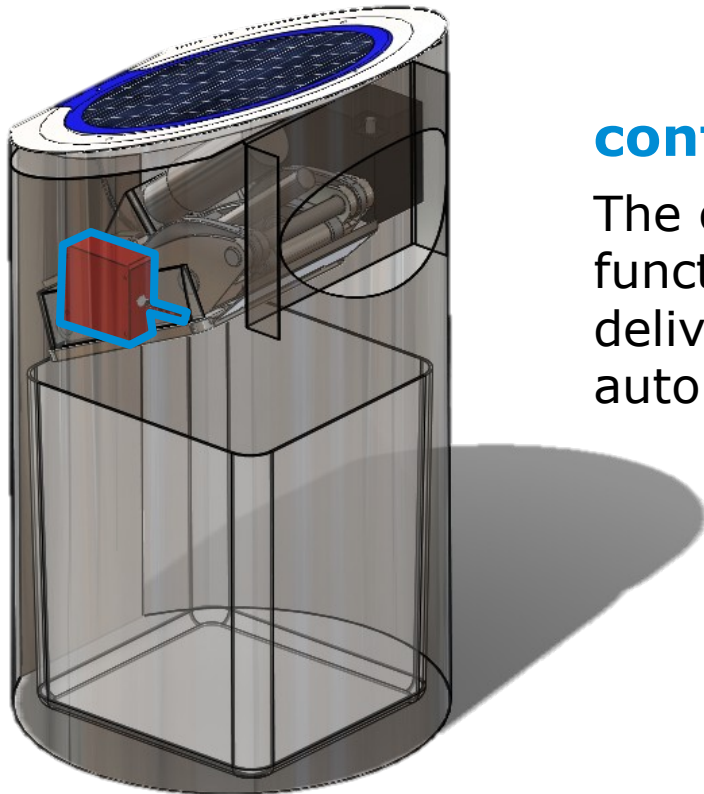


communication

the collected data is sent via GSM, a mobile communication system, to the headquarter of the particular waste collection company



concept: OSKAR



control system

The control system manages all the implemented functions. It determines the time for compaction, delivers level measuring and its locations automatically via GSM to the headquarter.

